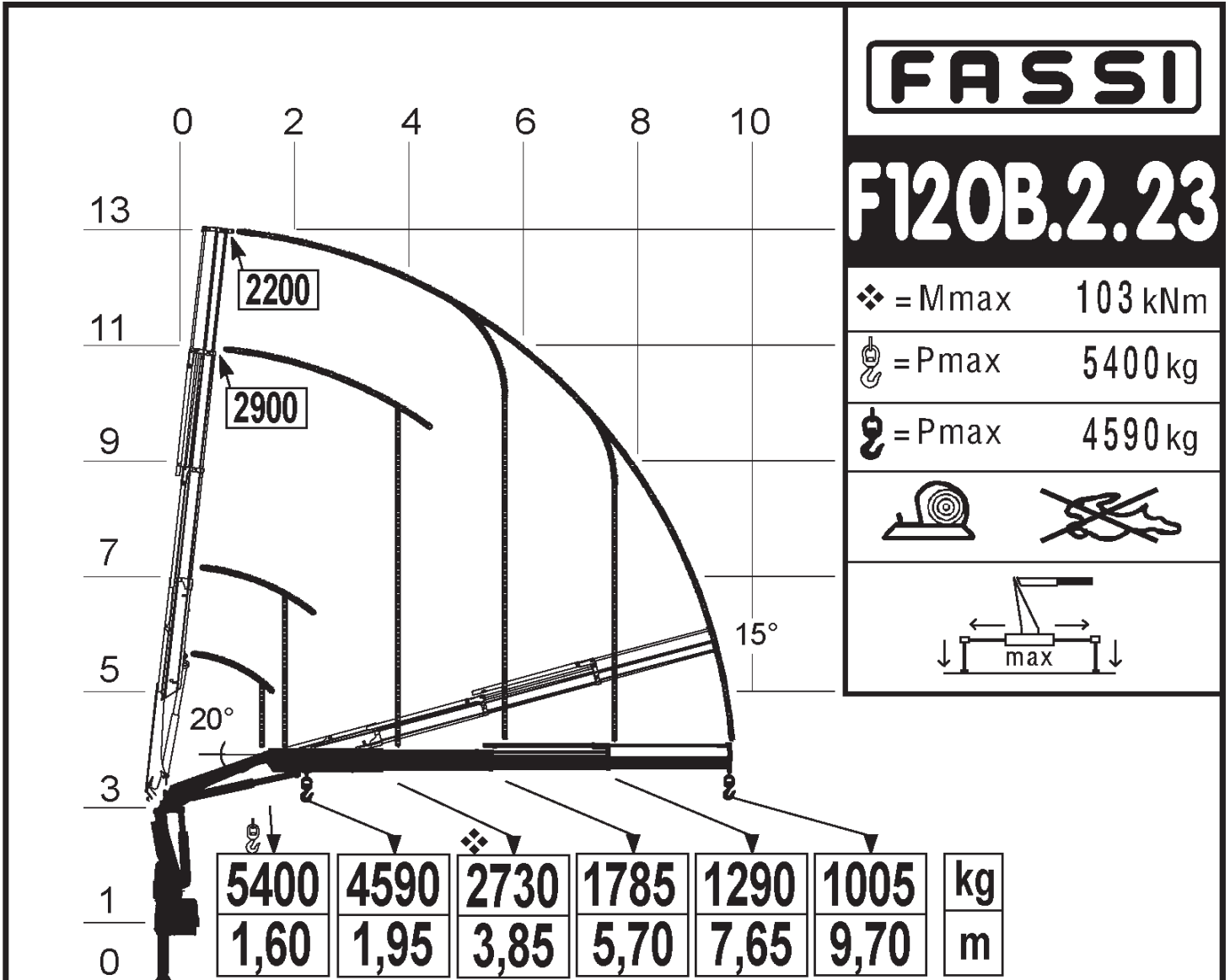


Via Roma, 110  
14021 Albino (BG)  
Tel.: +39 035 776400  
Fax: +39 035 755020  
www.fassi.com  
fassi@fassi.com

LOAD DIAGRAM WITH LIFTING MOMENT LIMITING DEVICE



### FASSI

## F120B.2.23

❖ = Mmax	103 kNm
⚙ = Pmax	5400 kg
⚙ = Pmax	4590 kg

